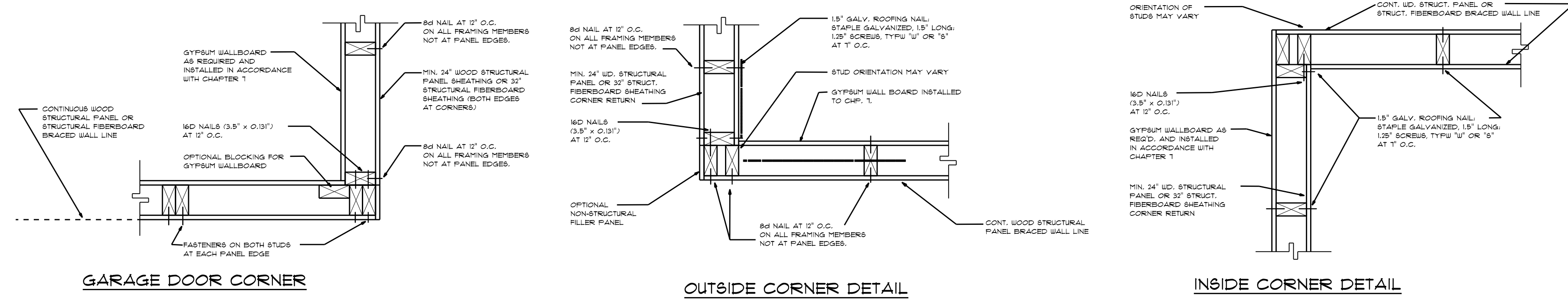
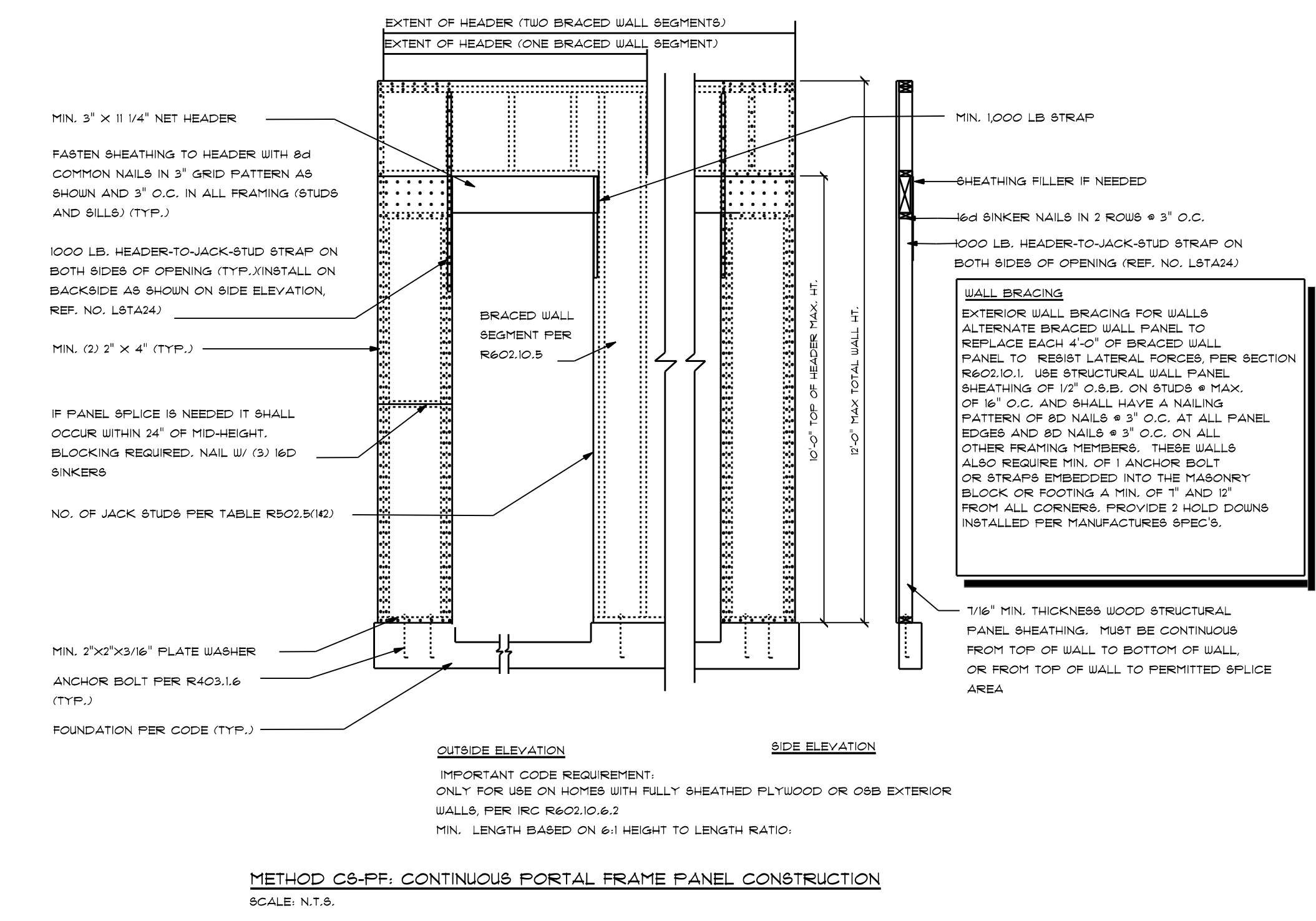


THE IDEAS AND DESIGN CONCEPTS EXPRESSED HEREIN AND THE GRAPHICALLY DISPLAYED ARRANGEMENT OF THEIR COMPONENTS REPRESENTED BY THIS DRAWING HAVE BEEN DEVELOPED FOR THE EXCLUSIVE USE OF THE SPECIFIED PROJECT AND ARE THE SOLE PROPERTY OF JMP Design & Build, Inc. INCORPORATED. A CONVEYANCE OR DISCLOSURE OF THE IDEAS DESIGN CONCEPTS OR USE OF ANY GRAPHICALLY DISPLAYED ARRANGEMENTS OF THE COMPONENTS SHALL BE AT THE DISCRETION AND ONLY THROUGH THE EXPRESSED WRITTEN CONSENT OF JMP Design & Build, Inc. ALL MATERIALS HEREIN ARE PROPRIETARY AND COPYRIGHTED ARCHITECTURAL SEAL.



METHOD DESCRIPTION AND NAILING PATTERN

METHOD	U.S.P.	CONNECTION CRITERIA			
		MINIMUM NAIL SIZE	NOMINAL PANEL THICKNESS	MAX. WALL STUD SPACING (IN.)	PANEL NAIL SPACING (IN. O.C.)
MATERIAL	WOOD STRUCTURAL PANEL	3/8"	1.5	16	EDGES (IN. O.C.) 6 ELSEWHERE (IN. O.C.) 12
MINIMUM THICKNESS	3/8"	6D COMMON (2" x 0.13")	1.5	16	6 12
OPTIONAL	7/16"	8D COMMON (2.5" x 0.13")	1.5	16	6 12
METHOD	LET IN BRACING	WOOD: 2-8d PER STUD INCLUDING TOP & BOTTOM PLATE		METAL: PER MANUFACTURER OR 1/4" (45 DEG. OR 60 DEG. # 16" O.C.)	
METHOD	G.B.	GYPSUM BOARD ON BOTH SIDES OF WALL NAILS OR SCREWS # 1" SPACING AT PANEL EDGES INCLUDING TOP AND BOTTOM PLATES AND ALL INTERMEDIATE POINTS.			

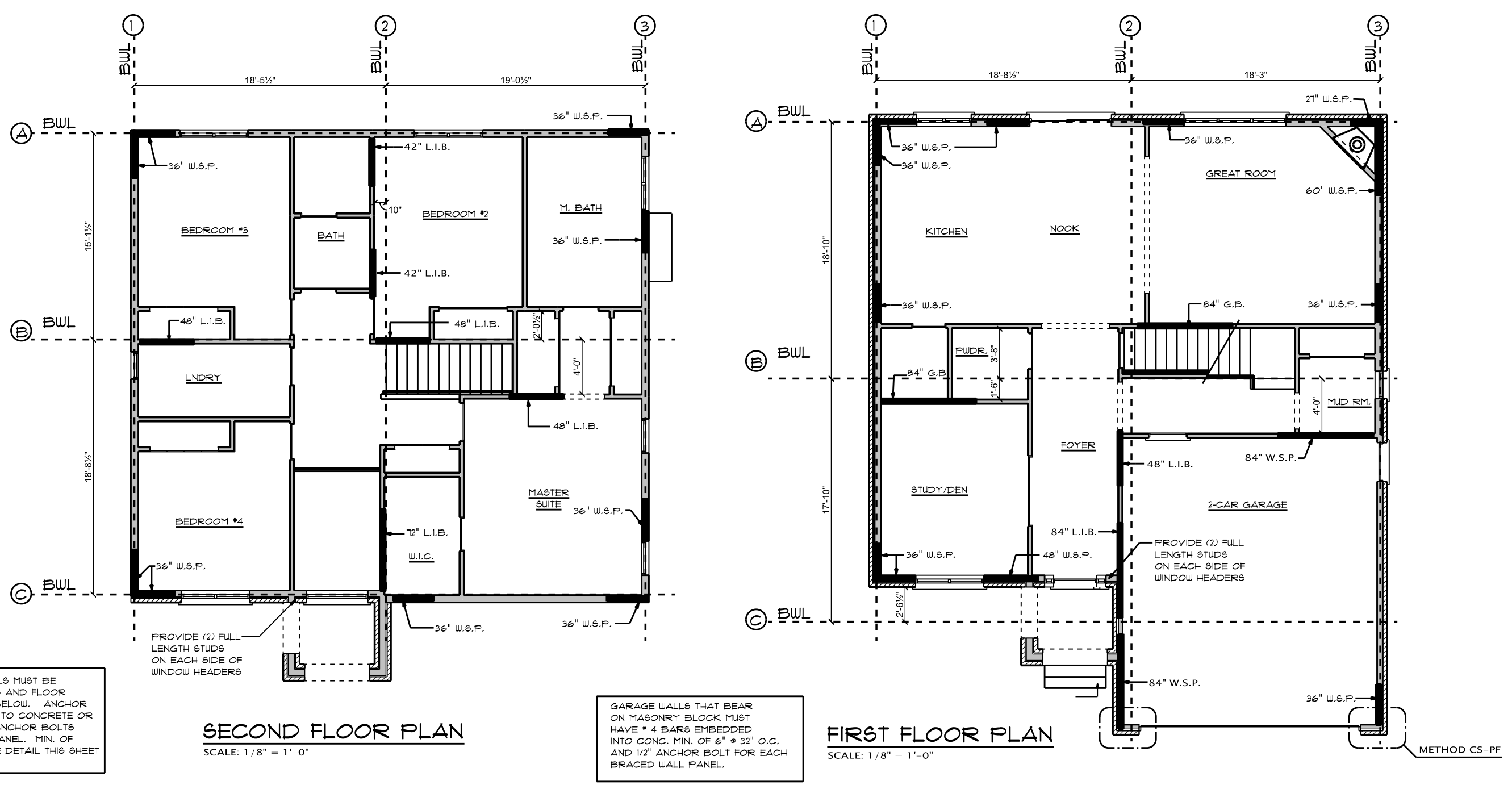
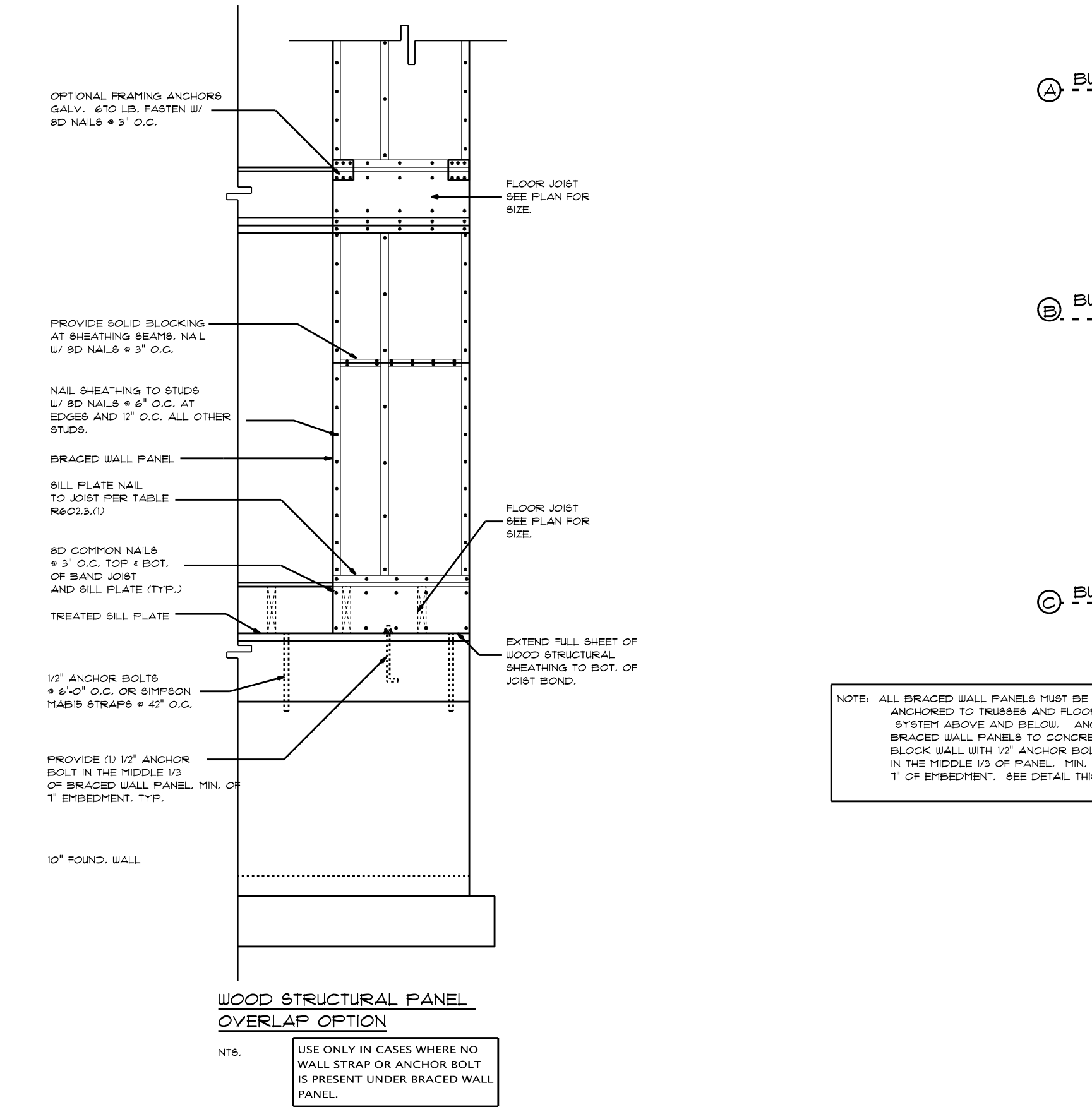
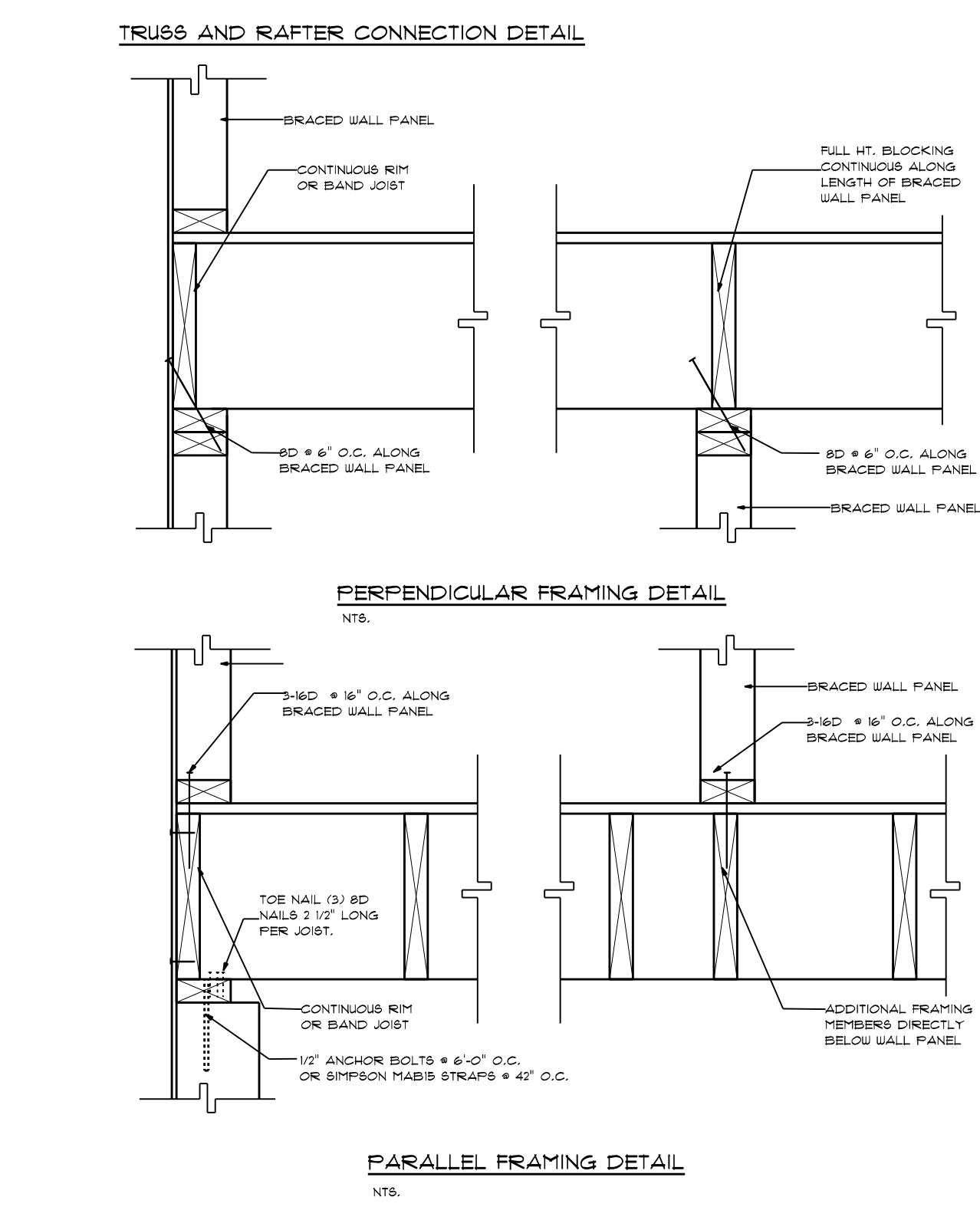
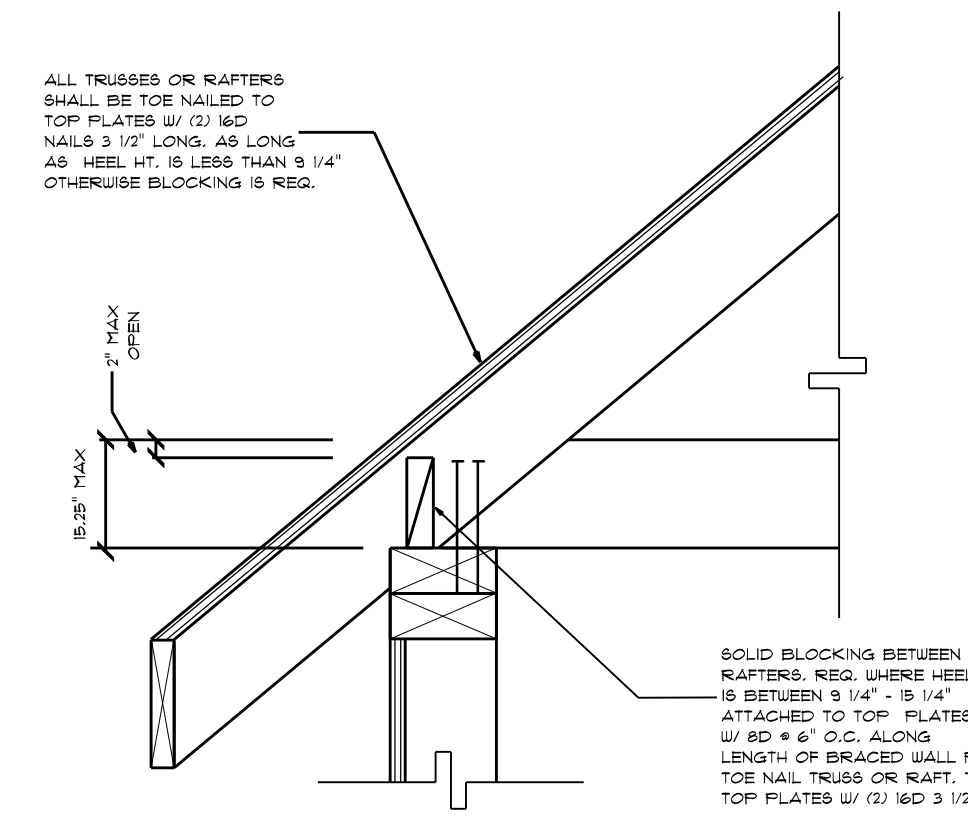


SECOND FLOOR BRACING REQUIREMENTS FOR CONTINUOUS SHEATHING

BRACED WALL LINE MARK	METHOD					
	U.S.P.	U.S.P. & L.B.	U.S.P.	U.S.P.	L.B.	U.S.P.
BRACED WALL LINE SPACING	20'-0"	20'-0"	20'-0"	20'-0"	20'-0"	20'-0"
ADJUSTMENT FACTORS	1.3 0.98	1.3 0.9	1.3 0.9	1.3 0.9	1.3 0.9	1.3 0.98
REQUIRED AMOUNT OF BRACING	4.1	8.2	4.1	4.1	8.2	4.1
PROVIDED AMOUNT OF BRACING	6'-0"	13'-0"	6'-0"	6'-0"	12'-0"	9'-0"

FIRST FLOOR BRACING REQUIREMENTS FOR CONTINUOUS SHEATHING

BRACED WALL LINE MARK	METHOD					
	U.S.P.	U.S.P. & L.B.	U.S.P.	U.S.P.	U.S.P. & GP.	U.S.P.
BRACED WALL LINE SPACING	20'-0"	20'-0"	20'-0"	20'-0"	20'-0"	20'-0"
ADJUSTMENT FACTORS	1.30 0.98	1.30 0.98	1.30 0.98	1.30 0.98	1.30 0.98	1.30 0.98
REQUIRED AMOUNT OF BRACING	8'	16'	8'	8'	16'	1'
PROVIDED AMOUNT OF BRACING	9'-0"	18'-0"	11'-0"	11'-3"	21'-0"	1'-0"



NAILING PATTERN FOR INTERIOR GYP. BD. BRACED WALL PANEL FOR LET IN BRACING METHOD AND G.B. GYP. BOARD METHOD (SEE GB TABLE 602.10.2)

GYPSUM BOARD ON INTERIOR SIDE OF LET IN BRACING. NAILS OR SCREWS # 1" SPACING AT PANEL EDGES INCLUDING TOP AND BOTTOM PLATES AND ALL INTERMEDIATE POINTS.

1/2" GYP.	1 1/2" GALV. ROOFING NAIL OR STAPLE GALV. OR 1 1/4" SCREWS TYPE (U) OR (S)
5/8" GYP.	1 3/4" GALV. ROOFING NAIL OR STAPLE GALV. OR 1 5/8" SCREWS TYPE (U) OR (S)

PROJECT

CHESTERFIELD COLONIAL MODEL

BUILDER/CLIENT  
DEL VALLO CONSTRUCTION INC.

PRELIMINARY   
CONSTRUCTION   
PERMIT   
SHEET TITLE:  
BRACED WALL PLAN

DATE: 05-01-2017  
05-08-2017

DRAWN BY:  
J.V.C.

CHECKED BY:  
J.M.P.

JOB NUMBER:  
17 - 164

SHEET NUMBER:  
A-5