

FIRST FLOOR BRACING REQUIREMENTS FOR CONTINUOUS SHEATHING

BRACED WALL LINE MARK	①	②	③	④
METHOD	WSP	WSP	WSP	WSP
BRACED WALL LINE SPACING	40'-0"	40'-0"	30'-0"	30'-0"
ADJUSTMENT FACTORS	1.00 0.90	1.00 0.90	1.00 0.90	1.00 0.90
REQUIRED AMOUNT OF BRACING	10'-4"	10'-4"	8'-2"	8'-2"
PROVIDED AMOUNT OF BRACING	13'-2"	13'-4"	10'-6"	13'-4"

SECOND FLOOR BRACING REQUIREMENTS FOR CONTINUOUS SHEATHING

BRACED WALL LINE MARK	①	②	③	④	⑤
METHOD	WSP	WSP	WSP	WSP	WSP
BRACED WALL LINE SPACING	15'-0"	25'-0"	25'-0"	20'-0"	20'-0"
ADJUSTMENT FACTORS	1.30 0.90	1.30 0.90	1.30 0.90	1.00 0.90	1.00 0.90
REQUIRED AMOUNT OF BRACING	3'-3"	4'-8"	4'-8"	3'-2"	3'-2"
PROVIDED AMOUNT OF BRACING	5'-4"	10'-8"	8'-0"	8'-0"	10'-8"

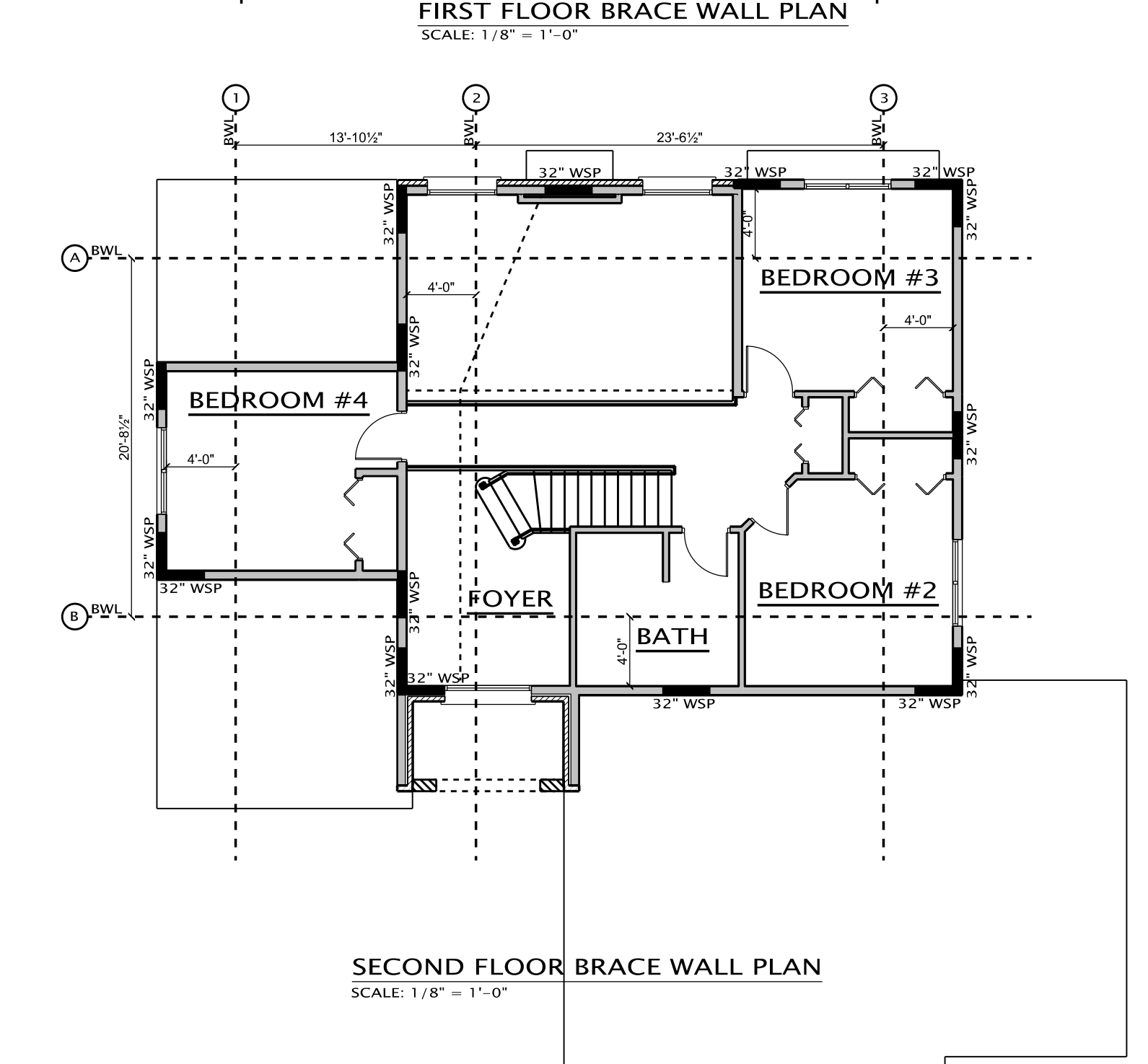
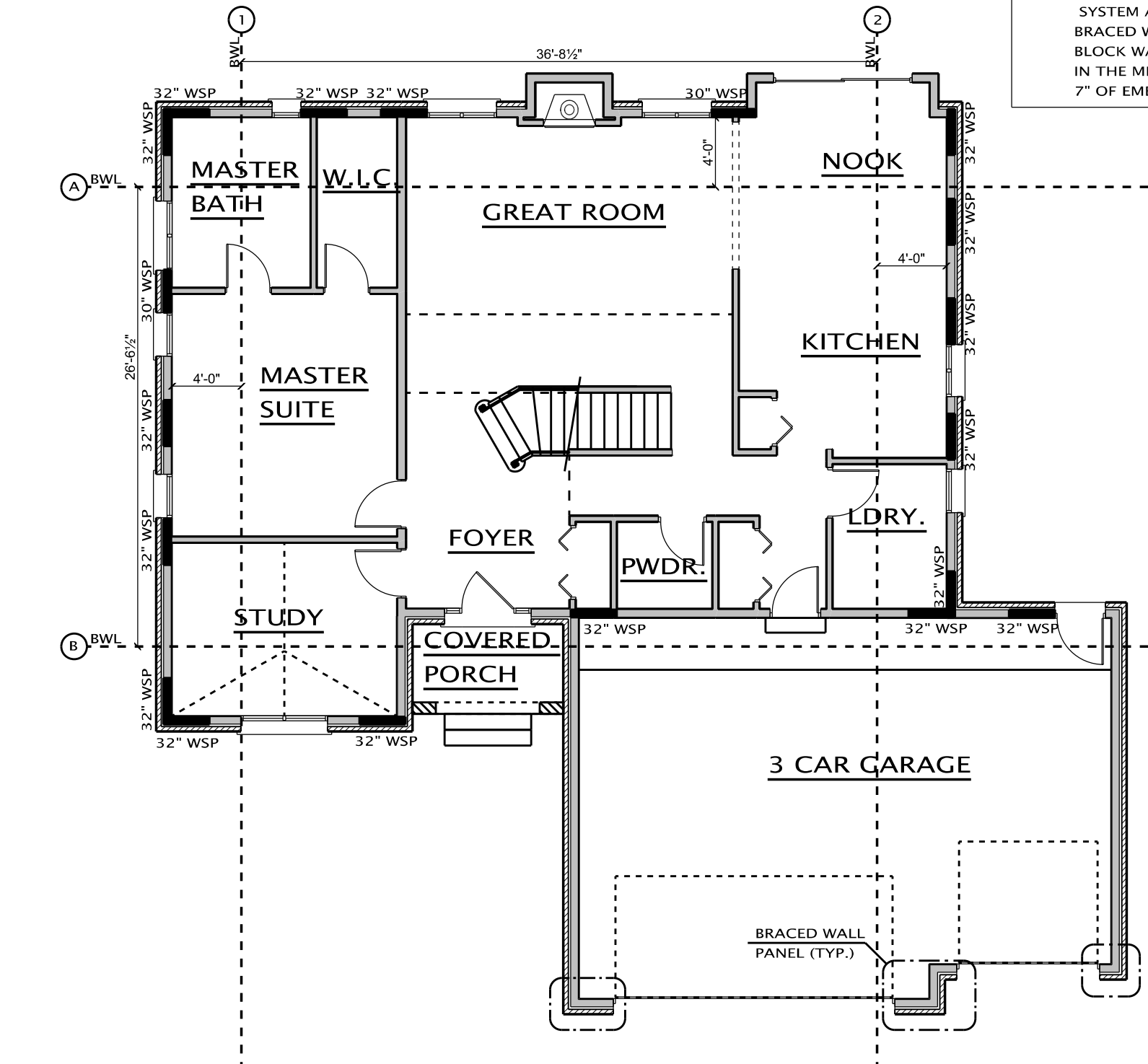
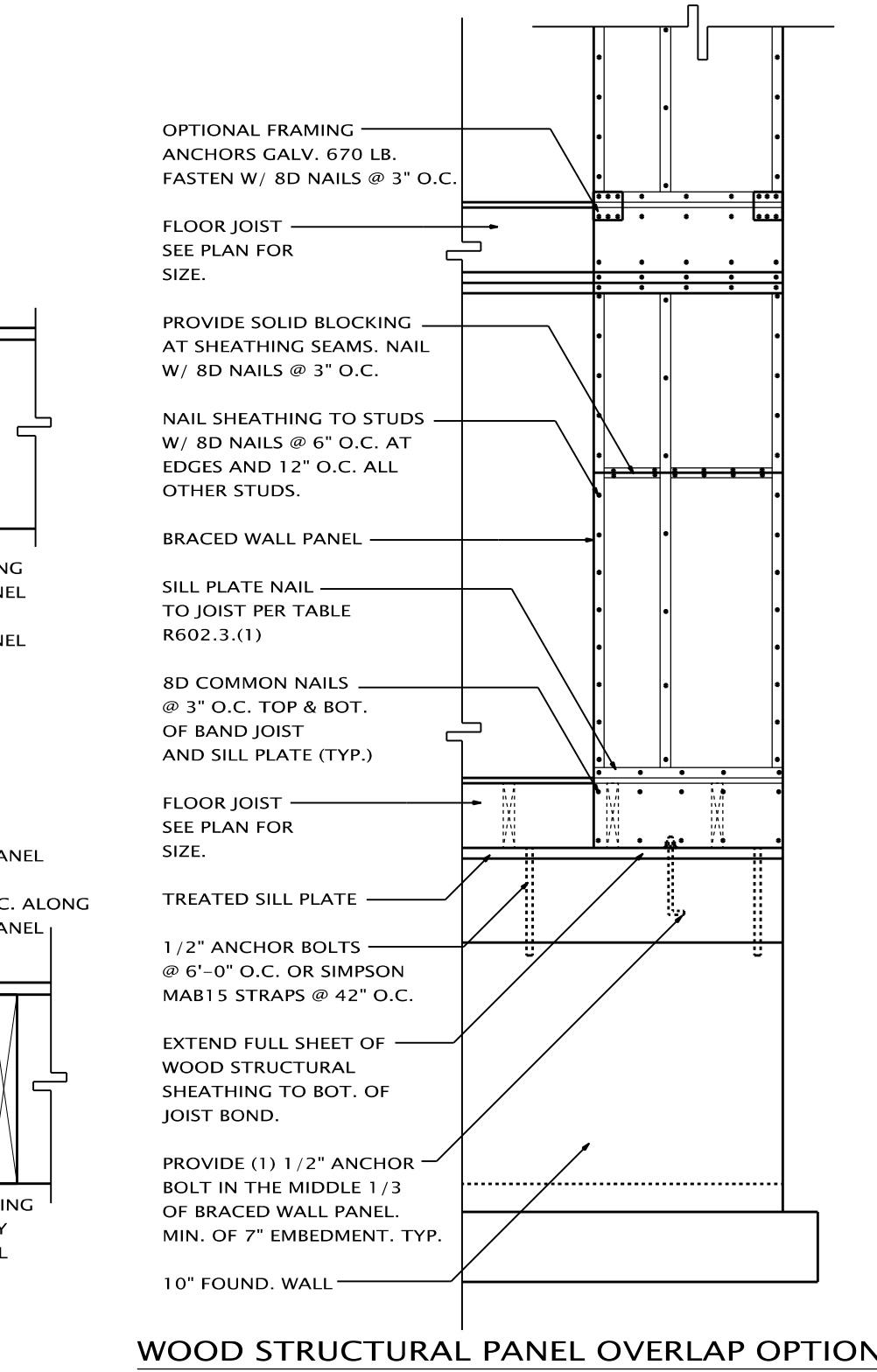
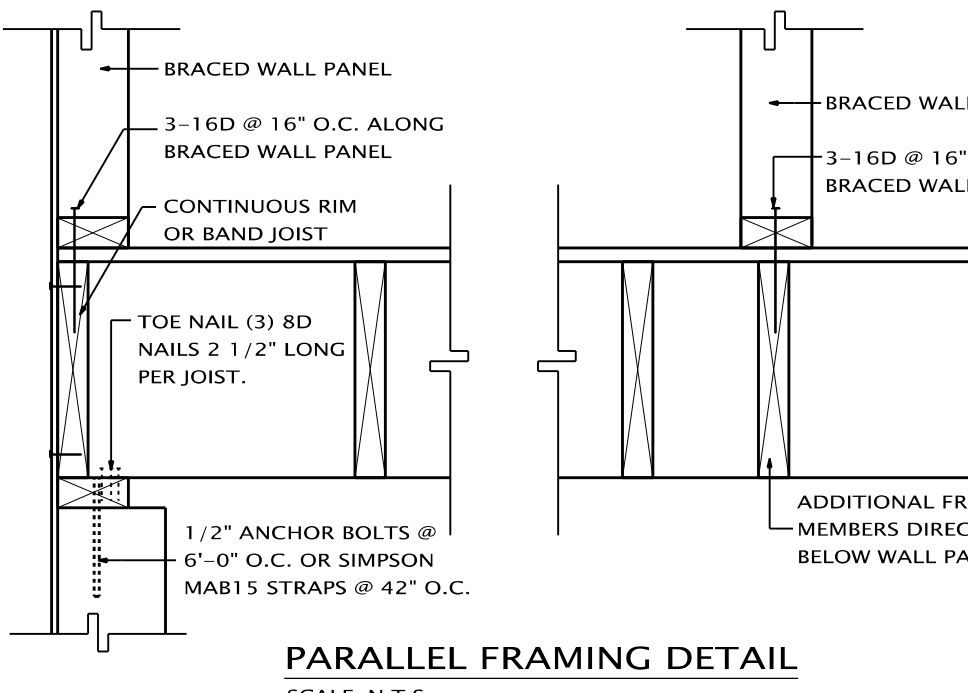
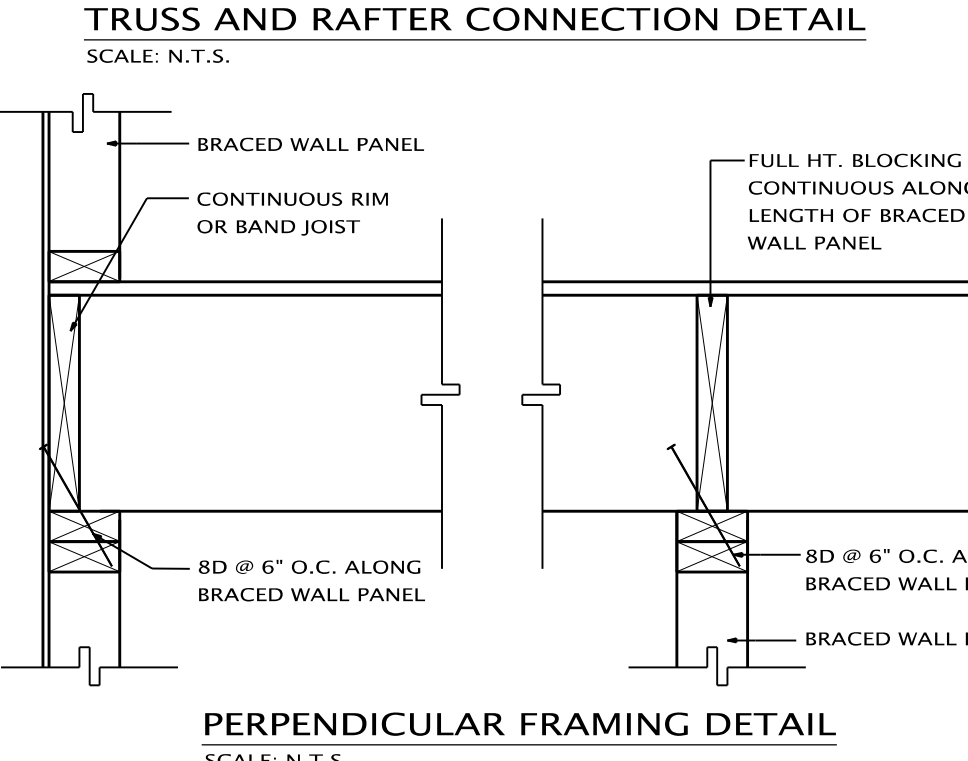
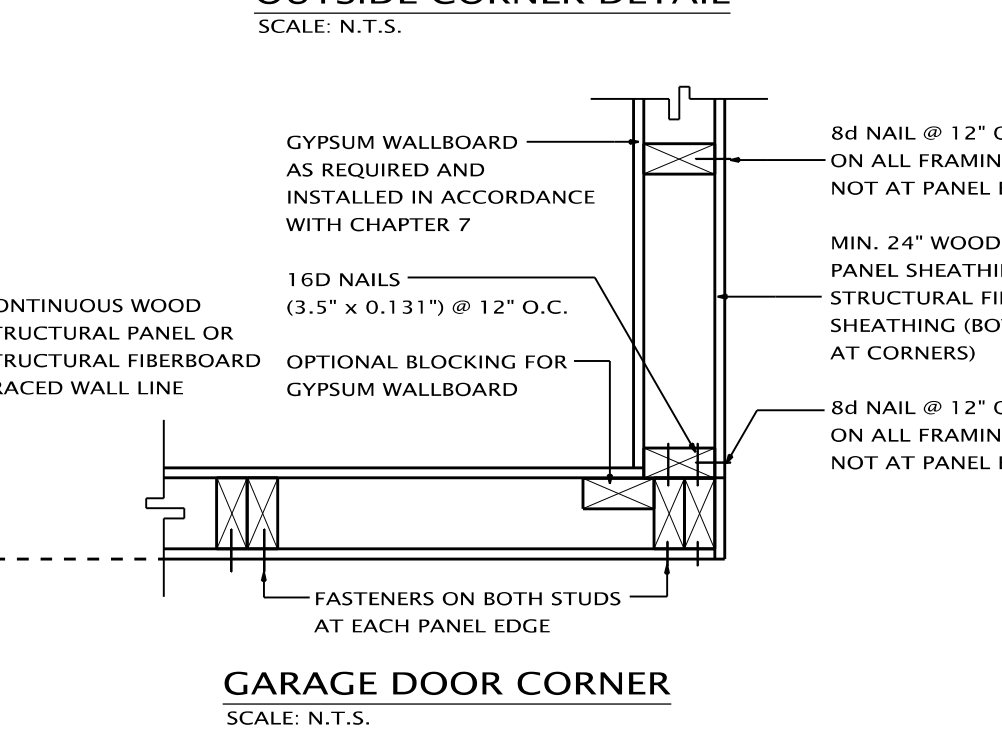
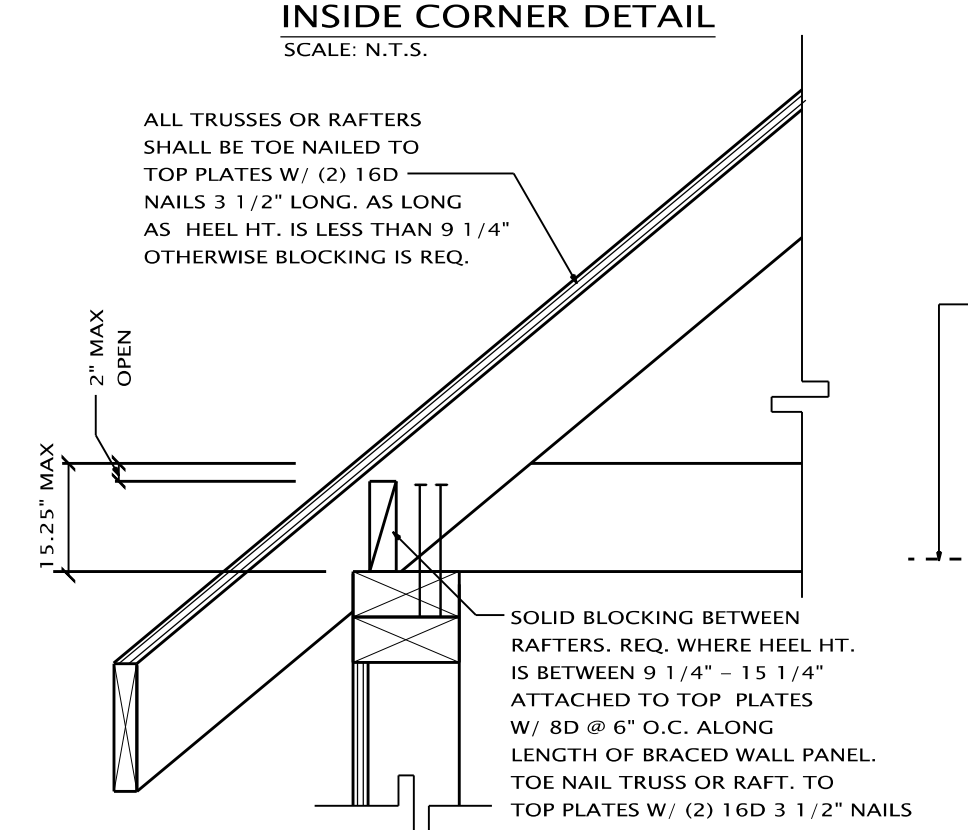
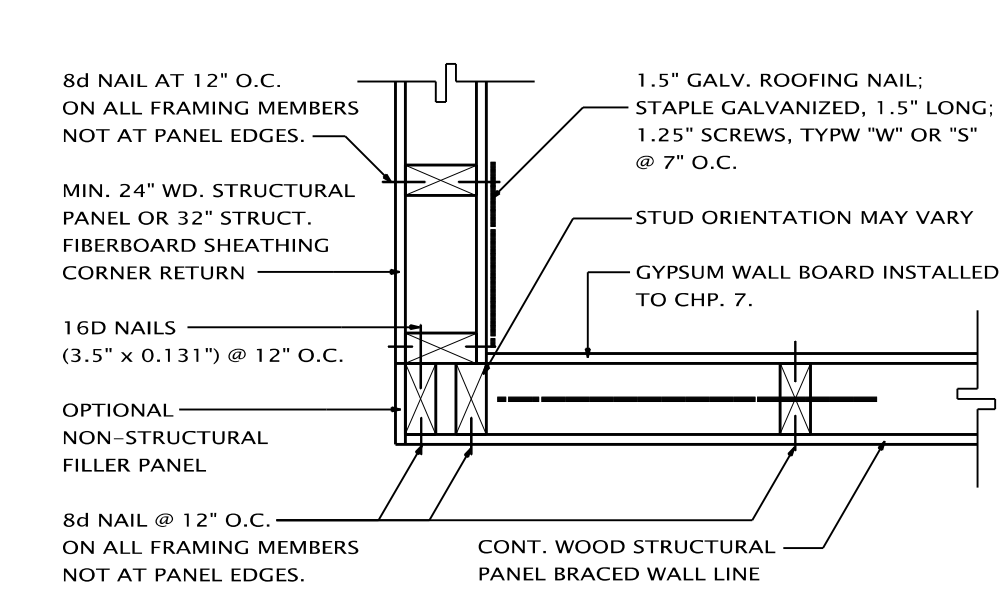
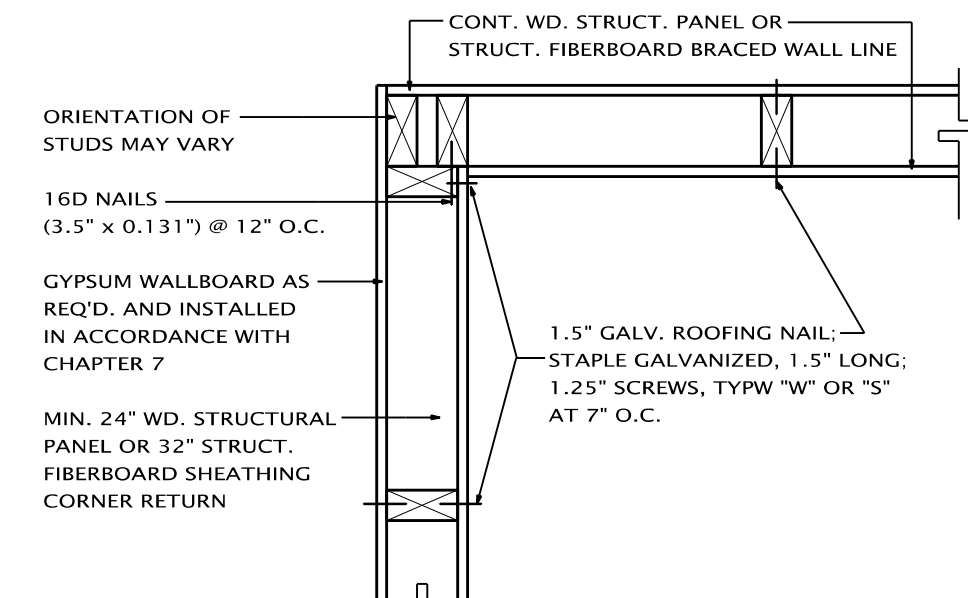
METHOD DESCRIPTION AND NAILING PATTERN

METHOD:	W.S.P.	CONNECTION CRITERIA					
		MINIMUM NAIL		NOMINAL PANEL THICKNESS	MAX. WALL STUD SPACING (in.)	PANEL NAIL SPACING	
MATERIAL	WOOD STRUCTURAL PANEL	SIZE	PEN. (in.)			6	12
MINIMUM THICKNESS	3/8"	6D COMMON (2" x 0.113")	1.5	3/8"	16		
OPTIONAL	7/16"	8D COMMON (2.5" x 0.131")	1.5	7/16"	16	6	12
METHOD: L.I.B.	LET IN BRACING	WOOD: 2-8d PER STUD INCLUDING TOP & BOTTOM PLATE		METAL: PER MANUFACTURER OR 1x4 (45 DEG. OR 60 DEG. @ 16" O.C.)			
METHOD: G.B.	1/2" GYP. EACH SIDE OF WALL	GYPSUM BOARD ON BOTH SIDES OF WALL NAILS OR SCREWS @ 7" SPACING AT PANEL EDGES INCLUDING TOP AND BOTTOM PLATES AND ALL INTERMEDIATE POINTS.					

NAILING PATTERN FOR INTERIOR GYP. BD. BRACED WALL PANEL FOR LET IN BRACING METHOD AND G.B. GYP. BOARD METHOD (SEE GB TABLE 602.10.2)

1/2" GYP.	1 1/2" GALV. ROOFING NAIL OR STAPLE GALV. OR 1 1/4" SCREWS TYPE (W) OR (S)
5/8" GYP.	1 3/4" GALV. ROOFING NAIL OR STAPLE GALV. OR 1 5/8" SCREWS TYPE (W) OR (S)

METHOD CS-PF: CONTINUOUS PORTAL FRAME PANEL CONSTRUCTION
 SCALE: N.T.S.



JMP Design + Build

51456 ORO RD. SHELBY TWP, MI 48315
 O. PH. 586.731.0400
 WEB. JIMDESIGNBUILD.COM

THE IDEAS AND DESIGN CONCEPTS EXPRESSED HEREIN AND THE GRAPHICALLY DISPLAYED ARRANGEMENT OF THEIR COMPONENTS REPRESENTED BY THIS DRAWING HAVE BEEN DEVELOPED FOR THE EXCLUSIVE USE OF THE SPECIFIED PROJECT AND ARE THE SOLE PROPERTY OF JMP Design + Build, Inc. INCORPORATED. A CONVEYANCE OR DISCLOSURE OF THE IDEAS DESIGN CONCEPTS OR USE OF ANY GRAPHICALLY DISPLAYED ARRANGEMENTS OF THE COMPONENTS SHALL BE AT THE DISCRETION AND ONLY THROUGH THE EXPRESSED WRITTEN CONSENT OF JMP Design + Build, Inc. ALL MATERIALS HEREIN ARE PROPRIETARY AND COPYRIGHTED ARCHITECTURAL SEAL

PROJECT

THE MARGARET
 VERIFY ADDRESS W/ SITE PLAN

BUILDER/CLIENT
DEL VALLO CONSTRUCTION

PRELIMINARY ○
 CONSTRUCTION ●
 PERMIT ○

SHEET TITLE:
BRACED WALL PANEL LOCATION PLAN

DATE: 02-24-2023
 03-01-2023
 03-13-2023

DRAWN BY:
 J.V.C.

CHECKED BY:
 J.M.P.

JOB NUMBER:
 23 - 119

SHEET NUMBER:
A-6